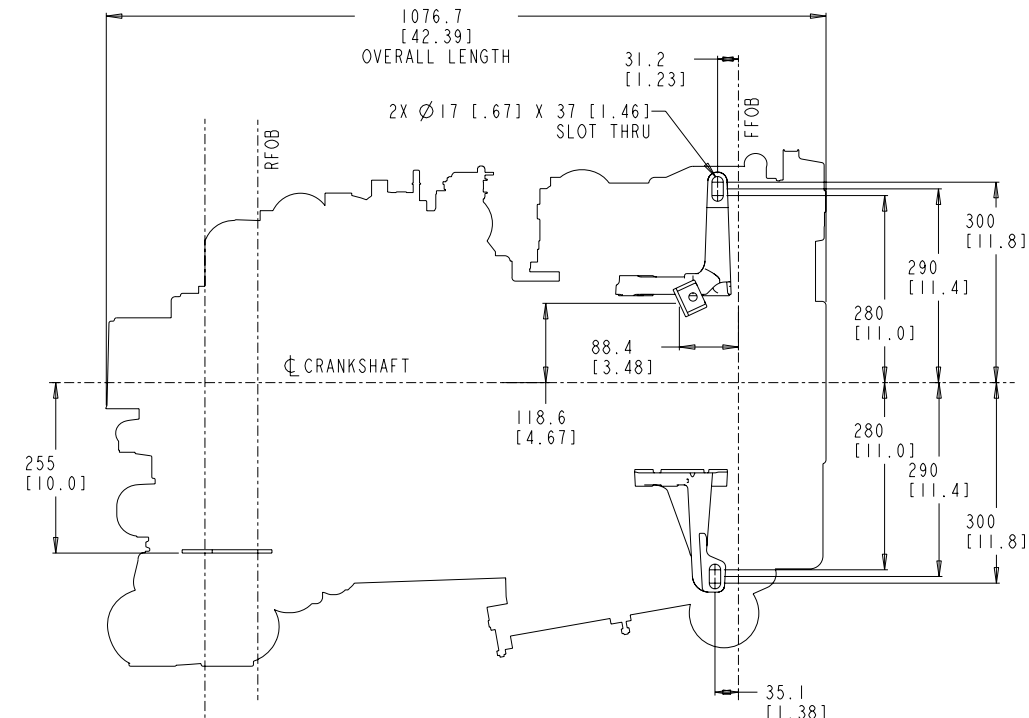
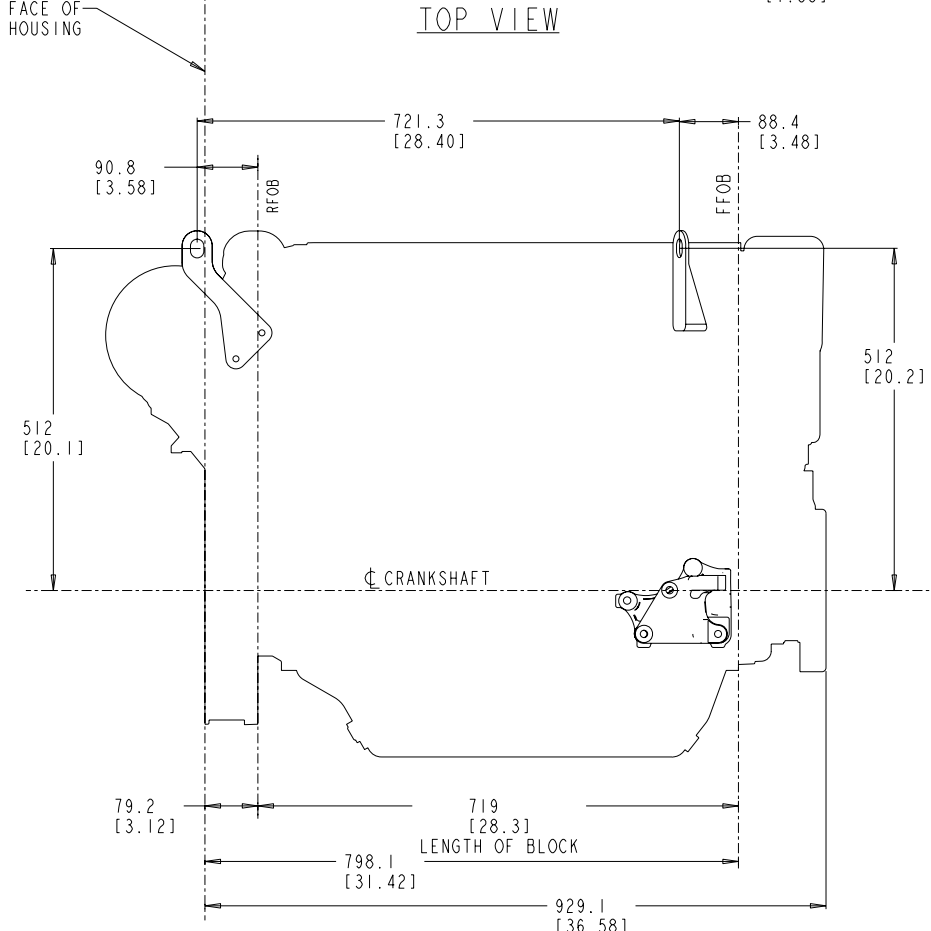


ITEM NUMBER
4953743

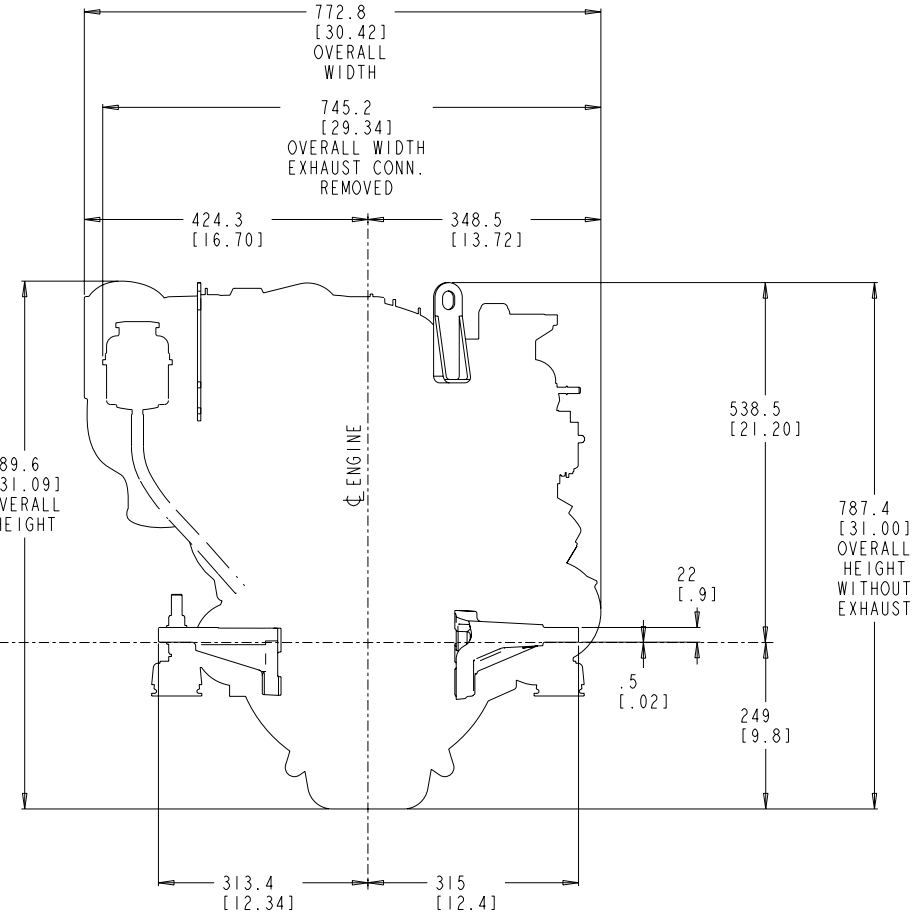
REVISIONS			
ZONE	REV	DESCRIPTION	APP'D
00	RELEASED		



TOP VIEW

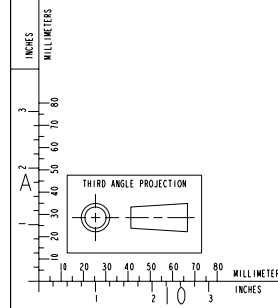


EXHAUST SIDE



FRONT VIEW

TABLE OF CONTENTS	
DRAWING / SUB-SYSTEM	SHEET
DIMENSION OUTLINE	1
ASSEMBLY DRAWING	2
ELECTRICAL SYSTEM	3
MOUNTING SYSTEM	4
EXHAUST SYSTEM	5



DO NOT SCALE THIS DRAWING

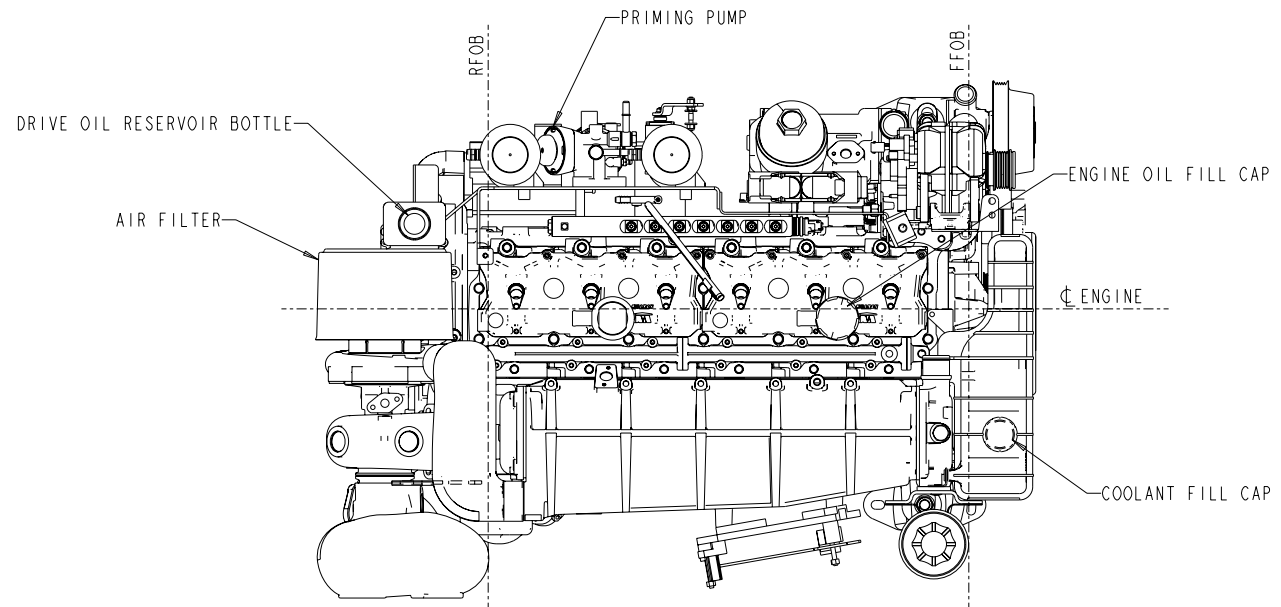
THIS DRAWING/DATA FILE (AND THE INFORMATION SHOWN THEREON) IS CONFIDENTIAL AND PROPRIETARY AND SHALL NOT BE USED, DISCLOSED TO OTHERS, OR REPRODUCED BY ANY MEANS FOR ANY PURPOSE IN HARD COPY FORM OR IN MACHINE READABLE FILES, WITHOUT WRITTEN CONSENT OF CUMMINS INC., MARKETING CAD SERVICES DEPARTMENT.

PRODUCT GRAPHICS FILE
NO ORIGINAL DRAWING EXISTS FOR THIS ITEM. THE ENGINEERING GRAPHICS DATA FOR THIS ITEM RESIDES IN THE PRODUCT GRAPHICS FILE AND IS CONTROLLED BY THE AGENCY DESIGNATED AS HAVING ITEM CONTROL.

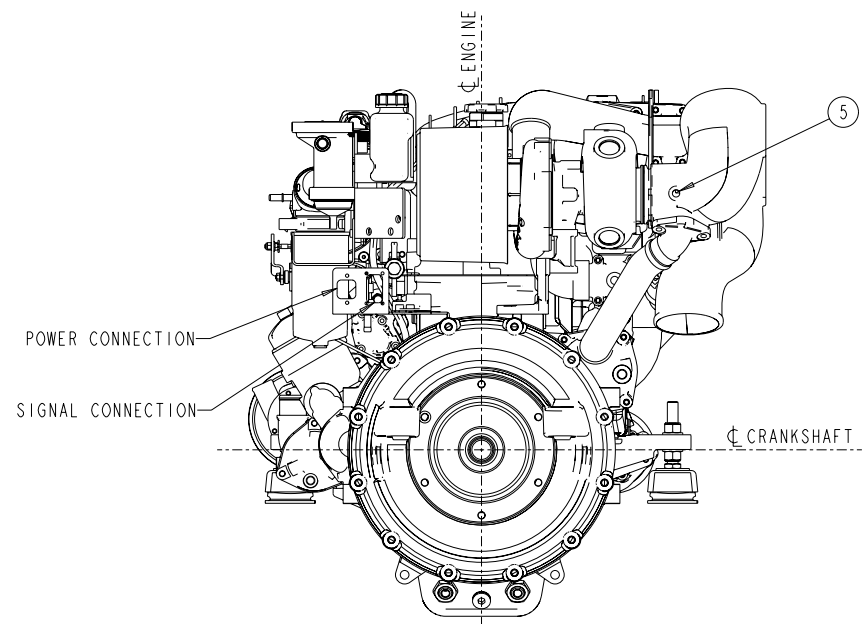
LAST SECTION LETTER USED: NA	REF. DRAWING STANDARDS: ANSI Y14.5M ISO 81101	CUMMINS INC.	
UNLESS OTHERWISE SPECIFIED DIMENSIONS ARE IN: MM 1:1 ARE IN: IN	ITEM NAME QSD 4.2L SUBSYSTEM	IDENTIFIER J	ITEM NUMBER 4953743
DWN: D. SOMIN CHD: UNCHECKED APPD:	SIZE CODE IDENT. NO.	ITEM CONTROL: MCS	SHEET 1 OF 5

ITEM NUMBER
4953743

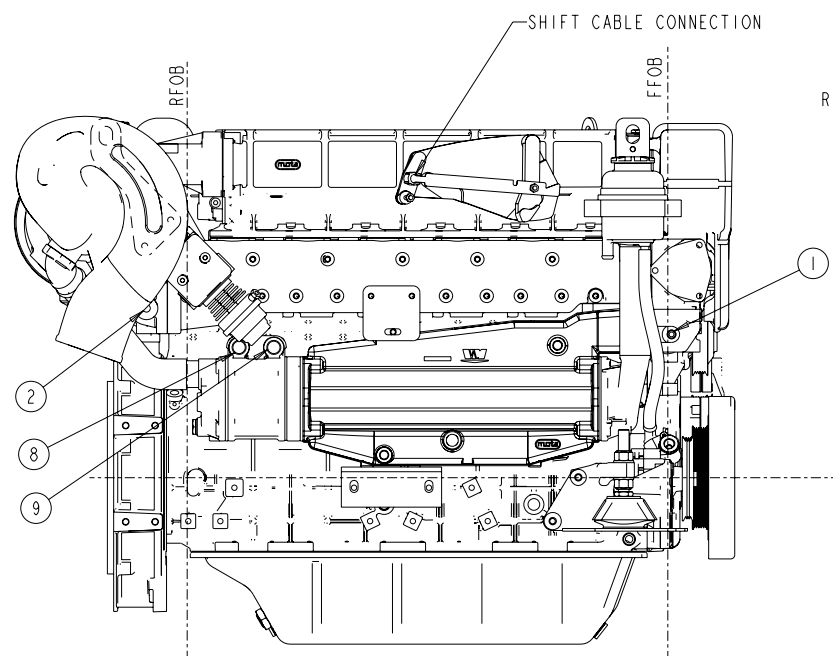
REVISIONS			
ZONE	REV	DESCRIPTION	APP'D
00	RELEASED		



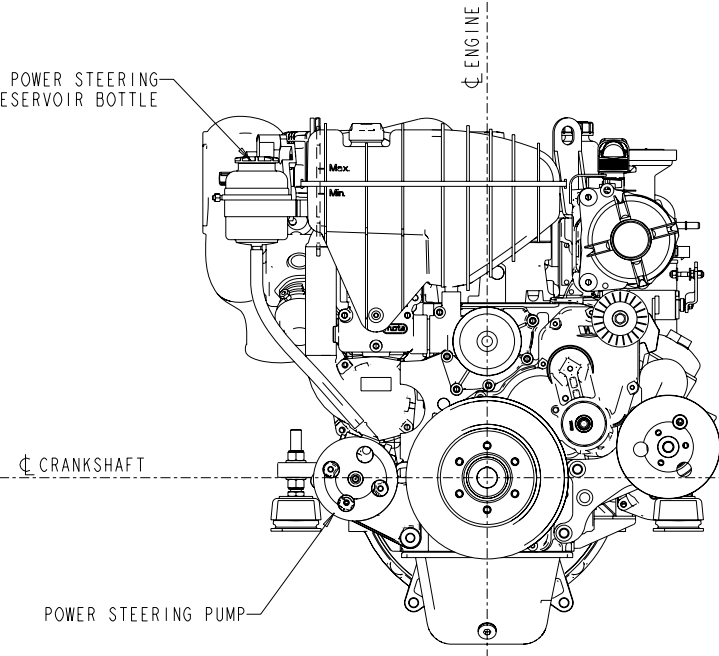
TOP VIEW



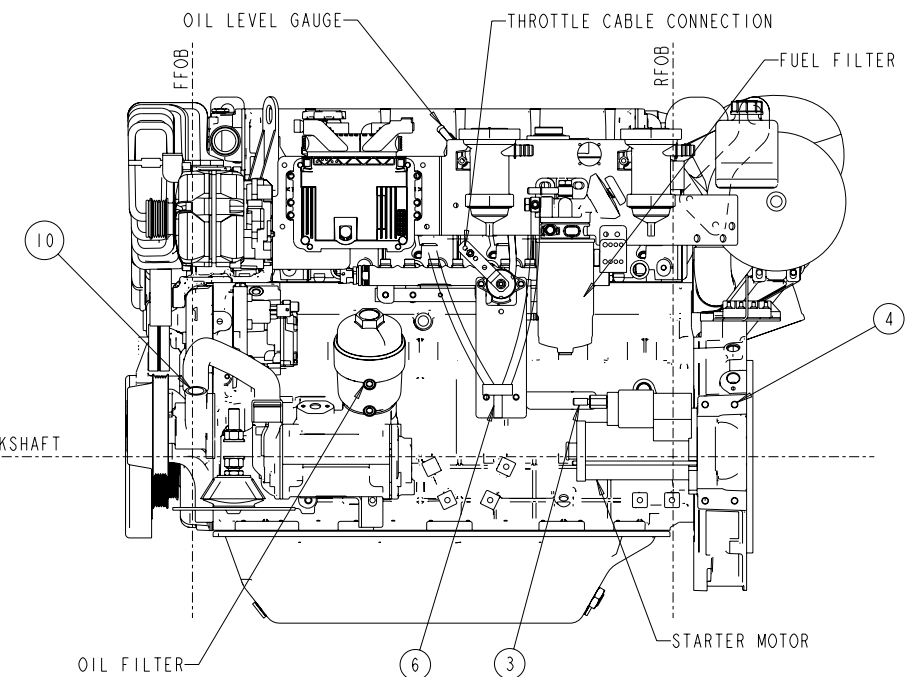
REAR VIEW



EXHAUST SIDE



FRONT VIEW



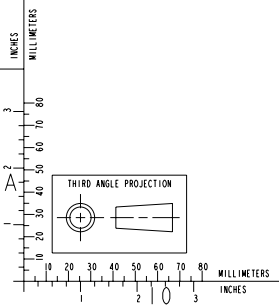
FUEL PUMP SIDE

SERVICE CONNECTIONS/TEST PORTS			
1	AUX. HEATER RETURN	Ø 15.9 [.625]	Ø 8.0 [.3125]
2	AUX. HEATER SUPPLY	Ø 15.9 [.625]	N/A
3	BATTERY (+)	M10 X 1.5	Ø 9.52 [.375]
4	BLOCK GROUND (-)	M10 X 1.5	Ø 6.35 [.25]
5	EXHAUST TEMP/BACK PRESS.	[1/4 NPT]	Ø 38.1 [1.5]
6	FUEL INLET		
7	FUEL RETURN		
8	POWER STEERING/GEAR OIL COOLER INLET		
9	POWER STEERING/GEAR OIL COOLER OUTLET		
10	SEAWATER INLET		

PRODUCT GRAPHICS FILE
NO ORIGINAL DRAWING EXISTS FOR THIS ITEM. THE ENGINEERING GRAPHICS DATA FOR THIS ITEM RESIDES IN THE PRODUCT GRAPHICS FILE AND IS CONTROLLED BY THE AGENCY DESIGNATED AS HAVING ITEM CONTROL.

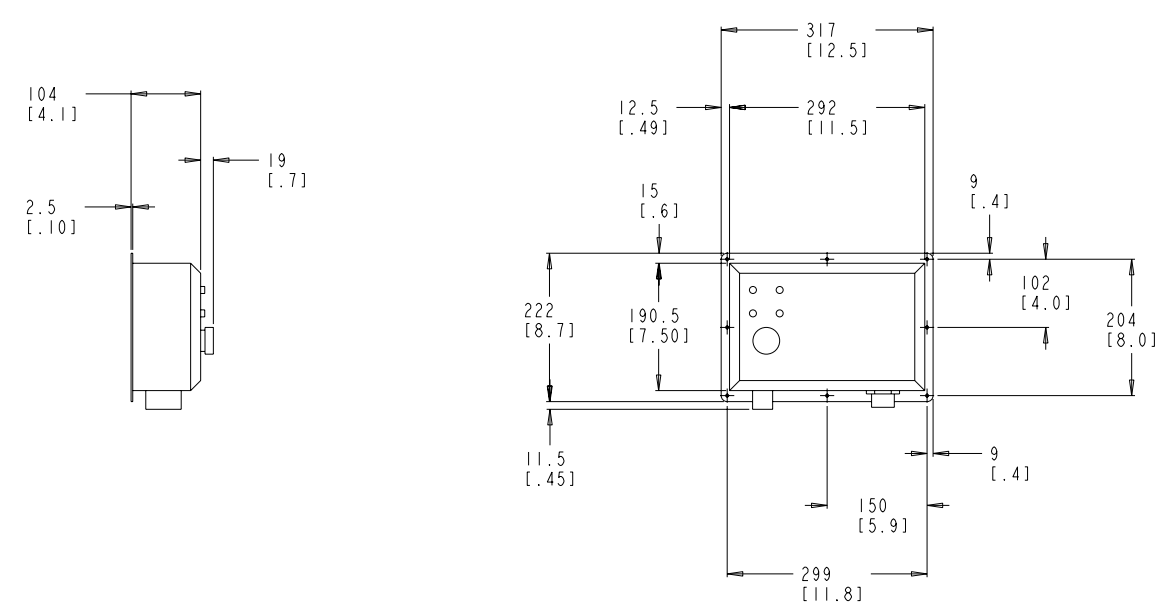
DO NOT SCALE THIS DRAWING
THIS DRAWING/DATA FILE (AND THE INFORMATION SHOWN THEREON) IS CONFIDENTIAL AND PROPRIETARY AND SHALL NOT BE USED, DISCLOSED TO OTHERS, OR REPRODUCED BY ANY MEANS FOR ANY PURPOSE IN HARD COPY FORM OR IN MACHINE READABLE FILES, WITHOUT WRITTEN CONSENT OF CUMMINS INC., MARKETING CAD SERVICES DEPARTMENT.

LAST SECTION LETTER USED: NA	REF. DRAWING STANDARDS: ANSI Y14.5M ISO 81101	CUMMINS INC.	
UNLESS OTHERWISE SPECIFIED DIMENSIONS ARE IN: MM 1:3 ARE IN: IN		ITEM NAME QSD 4.2L SUBSYSTEM	IDENTIFIER
DWN: D. SOMIN	DATE: 12/24/94	SIZE CODE (IDENT. NO.)	ITEM NUMBER
CHD: UNCHECKED	APPD: [Signature]	J	4953743
		SCALE: 1:1	ITEM CONTROL: MCS SHEET 2 OF 5

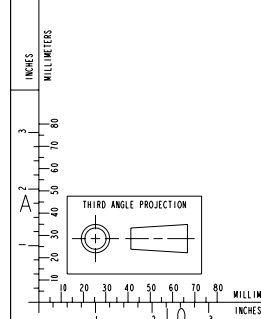


ITEM NUMBER
4953743

REVISIONS			
ZONE	REV	DESCRIPTION	APP'D
00	RELEASED		



E18012/E18013



ELECTRICAL SYSTEM

DO NOT SCALE THIS DRAWING

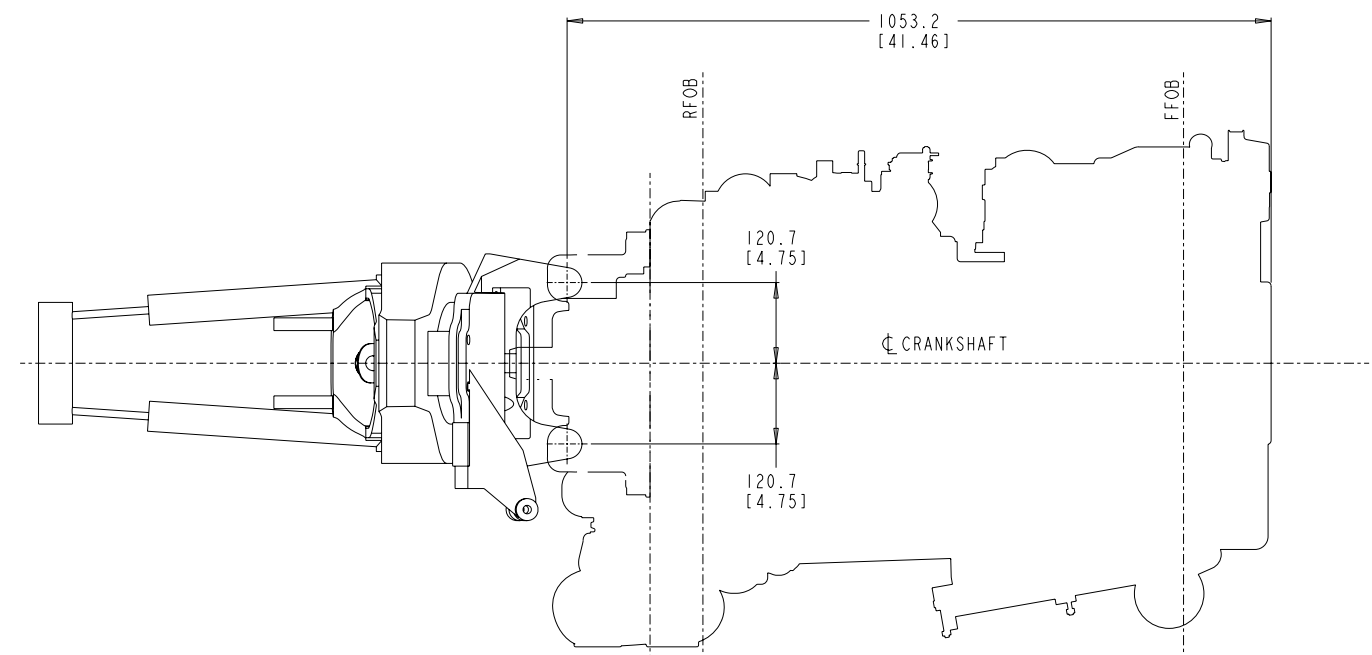
THIS DRAWING/DATA FILE (AND THE INFORMATION SHOWN THEREON) IS CONFIDENTIAL AND PROPRIETARY AND SHALL NOT BE USED, DISCLOSED TO OTHERS, OR REPRODUCED BY ANY MEANS FOR ANY PURPOSE IN HARD COPY FORM OR IN MACHINE READABLE FILES, WITHOUT WRITTEN CONSENT OF CUMMINS INC., MARKETING CAD SERVICES DEPARTMENT.

PRODUCT GRAPHICS FILE
NO ORIGINAL DRAWING EXISTS FOR THIS ITEM. THE ENGINEERING GRAPHICS DATA FOR THIS ITEM RESIDES IN THE PRODUCT GRAPHICS FILE AND IS CONTROLLED BY THE AGENCY DESIGNATED AS HAVING ITEM CONTROL.

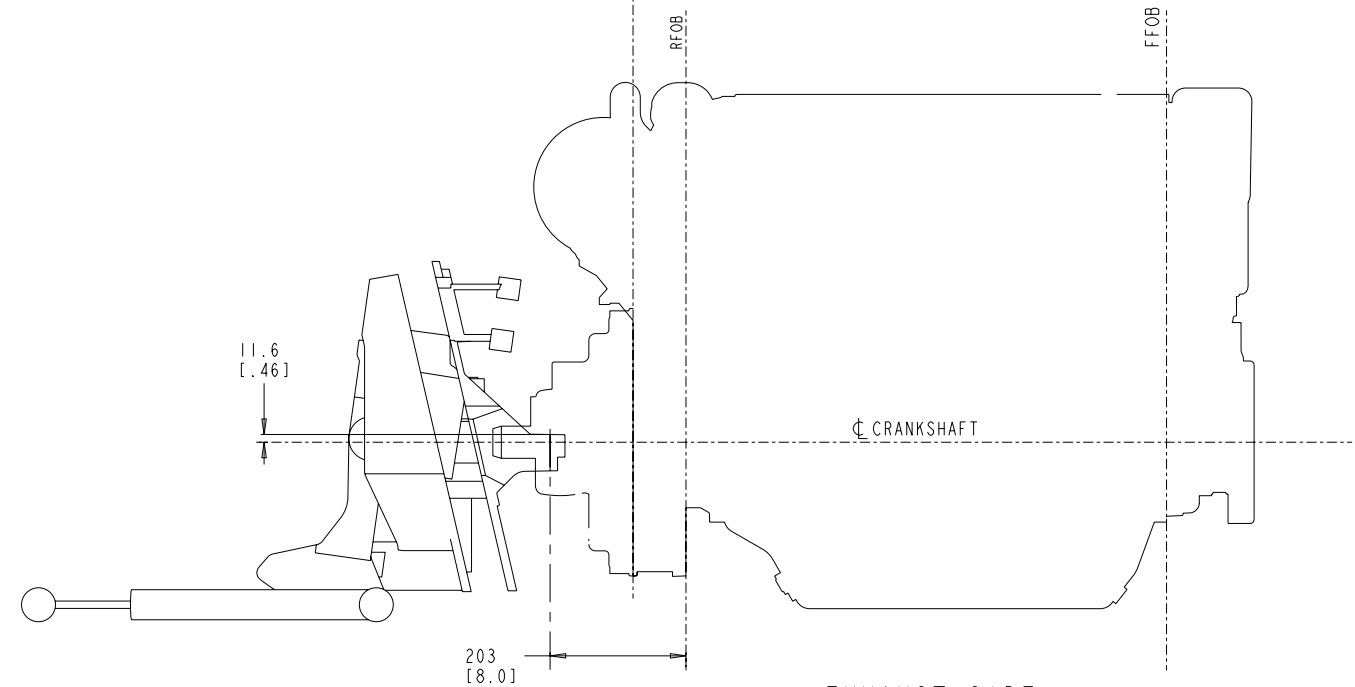
LAST SECTION LETTER USED: NA	REF. DRAWING STANDARDS: ANSI Y14.5M ISO 81101	CUMMINS INC.	
UNLESS OTHERWISE SPECIFIED DIMENSIONS ARE IN: MM 1:1 ARE IN: IN		ITEM NAME QSD 4.2L SUBSYSTEM	IDENTIFIER
DWN D. SOWIN	UNCHECKED	SIZE CODE IDENT. NO.	ITEM NUMBER 4953743
APPD		SCALE: 1:1	ITEM CONTROL: MCS SHEET 3 OF 5

ITEM NUMBER
4953743

REVISIONS			
ZONE	REV	DESCRIPTION	APP'D
00	RELEASED		



TOP VIEW



EXHAUST SIDE

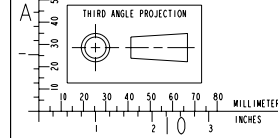
SA9064

MOUNTING SYSTEM

PRODUCT GRAPHICS FILE
NO ORIGINAL DRAWING EXISTS FOR THIS ITEM. THE ENGINEERING GRAPHICS DATA FOR THIS ITEM RESIDES IN THE PRODUCT GRAPHICS FILE AND IS CONTROLLED BY THE AGENCY DESIGNATED AS HAVING ITEM CONTROL.

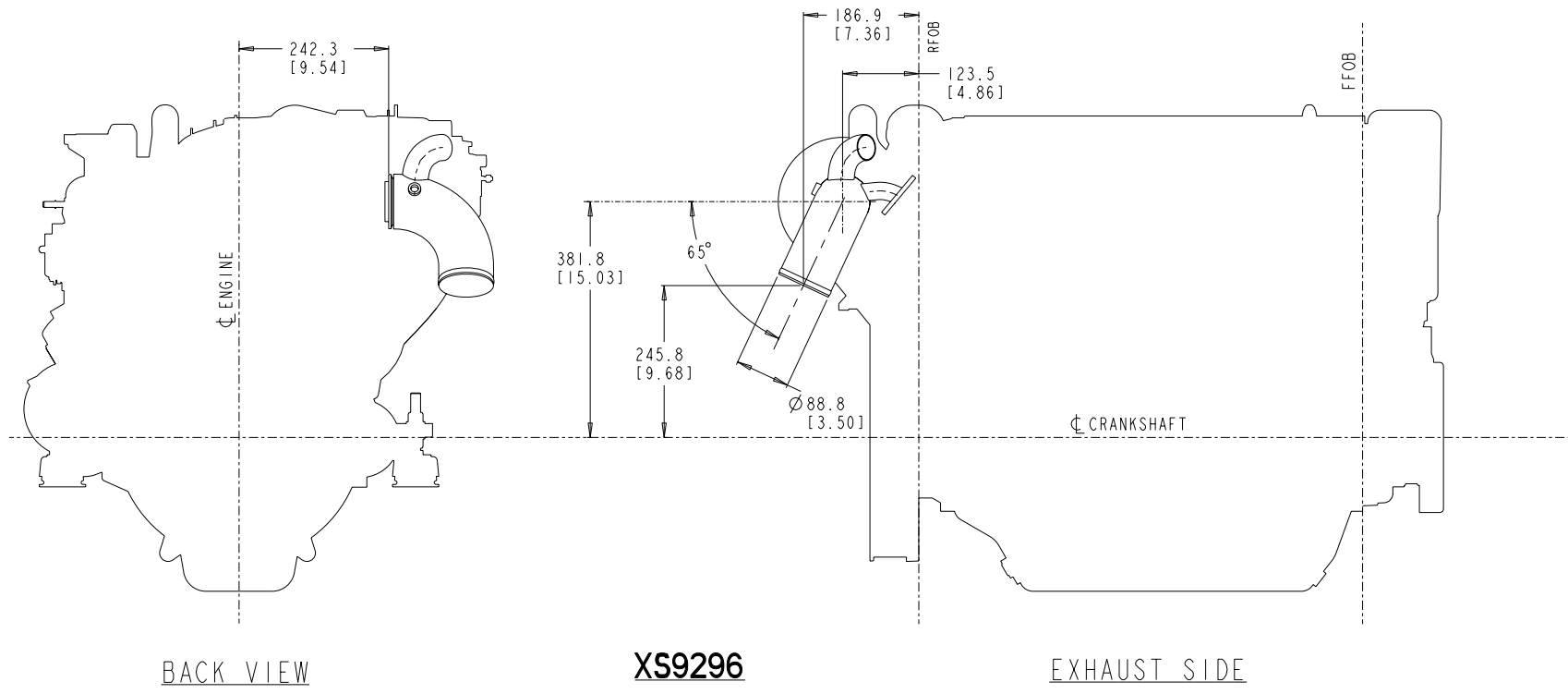
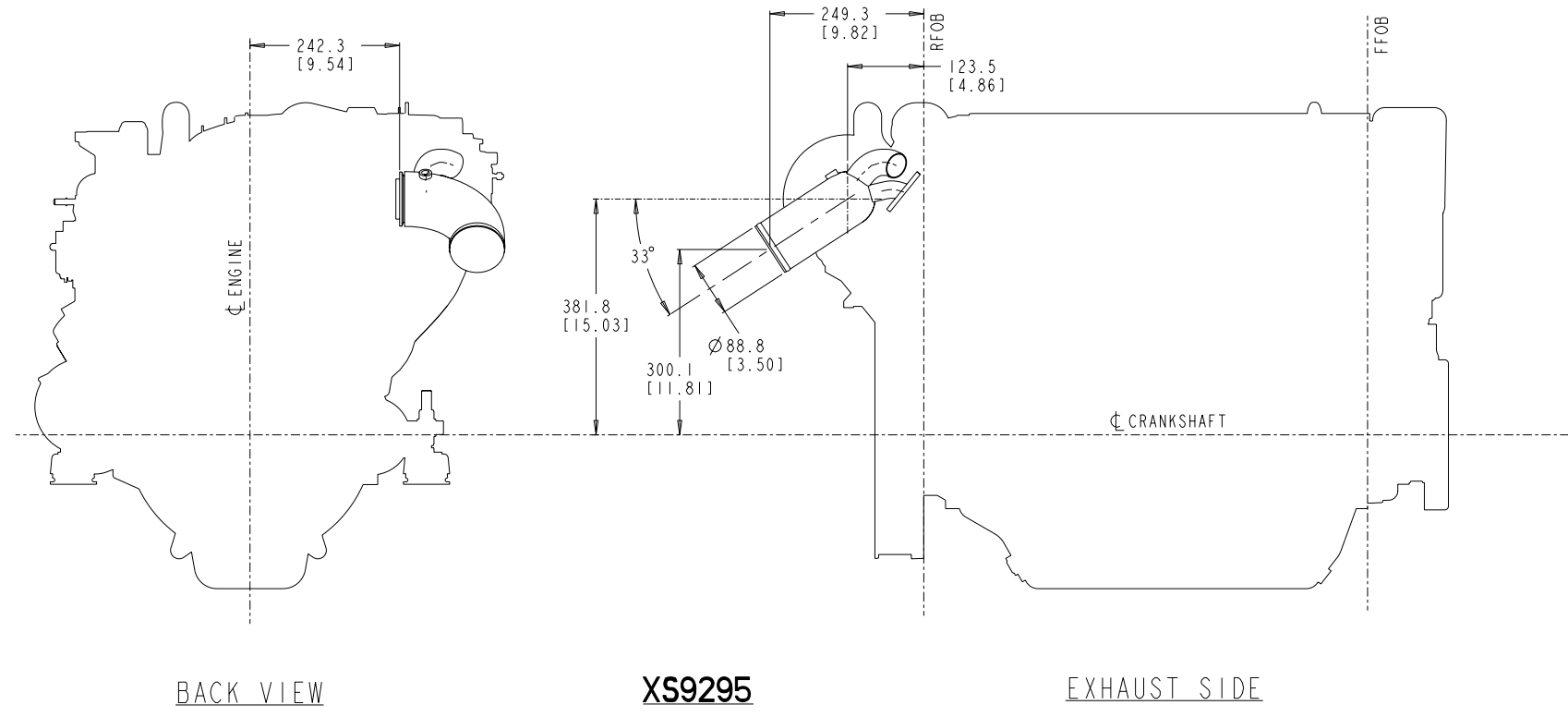
LAST SECTION LETTER USED: NA	REF. DRAWING STANDARDS: ANSI Y14.5M ISO 81101	CUMMINS INC.	
UNLESS OTHERWISE SPECIFIED DIMENSIONS ARE IN: MM () ARE IN: IN		ITEM NAME QSD 4.2L SUBSYSTEM	IDENTIFIER
DWN: D. SOWIN	UNCHECKED	SIZE CODE (IDENT. NO.)	ITEM NUMBER 4953743
APPD:		SCALE: 1	ITEM CONTROL: MCS SHEET 4 OF 5

DO NOT SCALE THIS DRAWING
THIS DRAWING/DATA FILE (AND THE INFORMATION SHOWN THEREON) IS CONFIDENTIAL AND PROPRIETARY AND SHALL NOT BE USED, DISCLOSED TO OTHERS, OR REPRODUCED BY ANY MEANS FOR ANY PURPOSE IN HARD COPY FORM OR IN MACHINE READABLE FILES, WITHOUT WRITTEN CONSENT OF CUMMINS INC., MARKETING CAD SERVICES DEPARTMENT.



ITEM NUMBER
4953743

REVISIONS			
ZONE	REV	DESCRIPTION	APP'D
00	RELEASED		

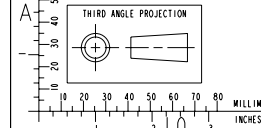


PRODUCT GRAPHICS FILE
NO ORIGINAL DRAWING EXISTS FOR THIS ITEM. THE ENGINEERING GRAPHICS DATA FOR THIS ITEM RESIDES IN THE PRODUCT GRAPHICS FILE AND IS CONTROLLED BY THE AGENCY DESIGNATED AS HAVING ITEM CONTROL.

LAST SECTION LETTER USED: NA	REF. DRAWING STANDARDS: ANSI Y14.5M ISO 81101	CUMMINS INC.	
UNLESS OTHERWISE SPECIFIED DIMENSIONS ARE IN: MM () ARE IN: IN		ITEM NAME QSD 4.2L SUBSYSTEM	IDENTIFIER
DWN: D. SOMIN	DATE: 02/24/04	SIZE CODE (IDENT. NO.)	ITEM NUMBER 4953743
CHD: UNCHECKED	APPD: ...	SCALE: 1:1	ITEM CONTROL: MCS
		SHEET 5 OF 5	

DO NOT SCALE THIS DRAWING
THIS DRAWING/DATA FILE (AND THE INFORMATION SHOWN THEREON) IS CONFIDENTIAL AND PROPRIETARY AND SHALL NOT BE USED, DISCLOSED TO OTHERS, OR REPRODUCED BY ANY MEANS FOR ANY PURPOSE IN HARD COPY FORM OR IN MACHINE READABLE FILES, WITHOUT WRITTEN CONSENT OF CUMMINS INC., MARKETING CAD SERVICES DEPARTMENT.

EXHAUST SYSTEM



INCHES
MILLIMETERS

INCHES
MILLIMETERS